

SRX 雙動六角中空液壓扳手

- 360° x 180° 雙油管接頭旋轉
 - 鋼製連接插銷
 - 扁平機身適用於受限工作空間
 - 表面防銹處理
 - 內有特殊耐磨銅套，防止磨損卡死
- 輸出精度：+/-3% 重複精度：100%



One plug to connect
單插銷連結

Double-Acting, Hexagon Cassette Wrenches Lightweight, Low Profile & Slim Nose Radius

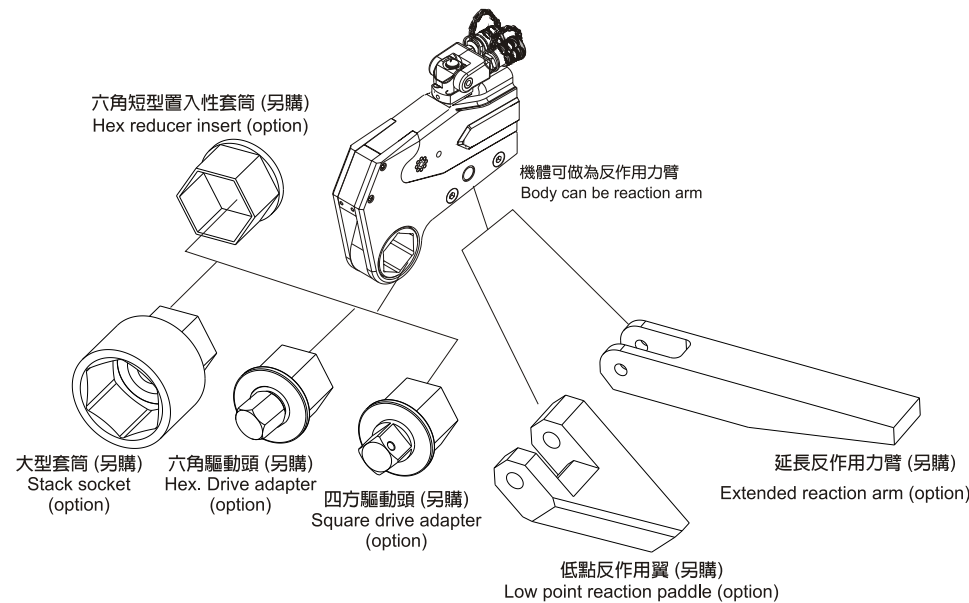
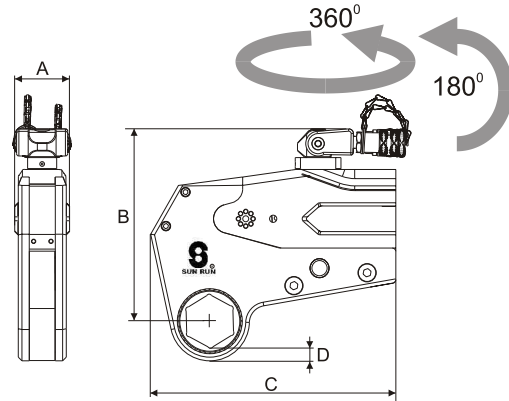
- ※ 360° x 180° swivel allow movement of duplex hose.
 - ※ Steel alignment pins connect lower reaction area for added strength.
 - ※ Narrow nose radius allows to fit in applications where clearance constraints make other tools too big.
 - ※ Rust-resistant Finish.
 - ※ Bronze bushing anti galling.
- Output Accuracy : +/-3%
Repeatability : 100%



Link
連接體



Cylinder
缸體



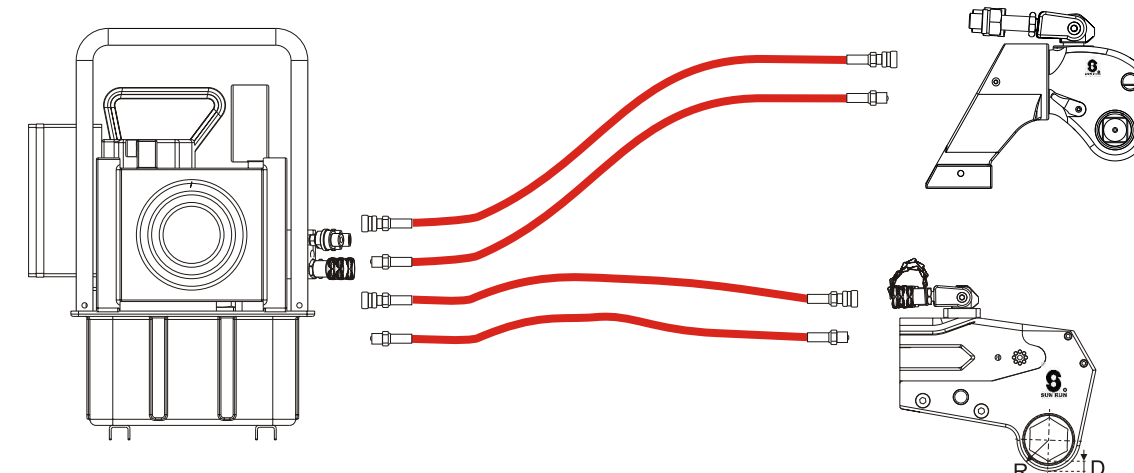
訂購型號	
How to build Torque Wrench drive and socket	
	連接體型號 六角對邊尺寸 [Link model] [Hex. Across size] Example: SRX-8L95-H85
	型號 HH 六角驅動尺寸 六角套筒尺寸 [Model] HH Hex. Drive size Hex. Socket size Example: SRX-8HH75-90
	型號 HS 六角套筒尺寸 外四角驅動尺寸 [Model] HS Hex. Socket size Square drive size Example: SRX-4HS46-1"
	型號 HHM 六角套筒尺寸 六角驅動尺寸 [Model] HHM Hex. Socket size Hex. Drive size Example: SRX-4HHM41-27

Model Number 型號	六角頭 Hex. Size		Min. Torque 最小扭力		Max. Torque 最大扭力		重量 Weight (kg)		外型尺寸 Dimensions(mm)			
	(in)	(mm)	(lb.ft)	(N.m)	(lb.ft)	(N.m)	Cylinder 缸體	Link 連接體	A	B	C	D
SRX-2	1-1/4~2-3/8"	30~60	192	260	2178	2994	1.90	1.48~1.85	32.0	148.8~156.8	168.0~175.5	9.1~11.7
SRX-4	1-5/8~3-1/8"	41~80	395	535	4732	6504	3.35	3.05~3.95	41.4	172.9~189.2	204.4~220.8	12.7~13.7
SRX-8	1-7/8~4-1/8"	50~105	830	1125	10689	14692	6.15	6.25~8.60	52.5	210.4~235.4	268.1~283.9	13.7~19.5
SRX-16	2-3/4~4-5/8"	70~115	1560	2115	16854	23165	8.75	11.98~13.45	64.0	245.7~258.3	326.7~344.7	19.5~23.0
SRX-32	3-1/8~6-1/8"	80~155	3220	4365	37566	51632	16.1	25.10~30.00	82.5	287.6~313.1	422.5~442.5	23.0~26.0

SRX 扭力扳手換算表 SRX Series Torque Conversion Chart											
bar / N.m											
Work pressure 工作壓力	SRX-2		SRX-4		SRX-8		SRX-16		SRX-32		
	1-1/4" to 1-13/16" 30 to 46mm	1-7/8" to 2-3/8" 47 to 60mm	1-5/8" to 2-9/16" 41 to 65mm	2-3/4" to 3-1/8" 70 to 80mm	1-7/8" to 3-1/8" 50 to 80mm	3-3/8" to 4-1/8" 85 to 105mm	2-3/4" to 3-15/16" 70 to 100mm	4-1/8" to 4-5/8" 105 to 115mm	3-1/8" to 4-1/2" 80 to 115mm	4-11/16" to 6-1/8" 120 to 155mm	
bar	N.m	N.m	N.m	N.m	N.m	N.m	N.m	N.m	N.m	N.m	N.m
68	260	285	535	631	1,125	1,372	2,115	2,250	4,365	5,016	
82	312	342	644	759	1,357	1,655	2,535	2,700	5,237	6,019	
95	365	399	752	887	1,590	1,939	2,955	3,150	6,110	7,022	
109	416	455	854	1,007	1,822	2,222	3,382	3,600	6,983	8,025	
122	469	512	962	1,135	2,055	2,507	3,802	4,051	7,855	9,028	
136	522	569	1,071	1,263	2,288	2,791	4,229	4,501	8,728	10,031	
150	572	626	1,179	1,391	2,528	3,084	4,650	4,951	9,602	11,035	
163	625	683	1,288	1,519	2,768	3,376	5,070	5,401	10,475	12,038	
177	678	740	1,389	1,639	3,008	3,669	5,490	5,851	11,347	13,041	
190	728	797	1,498	1,767	3,248	3,962	5,917	6,301	12,220	14,044	
204	784	868	1,606	1,895	3,489	4,256	6,337	6,751	13,093	15,047	
218	832	923	1,715	2,023	3,762	4,589	6,764	7,214	13,966	16,050	
231	885	981	1,823	2,151	4,034	4,921	7,185	7,651	14,839	17,053	
245	937	1,038	1,925	2,271	4,307	5,254	7,605	8,101	15,712	18,057	
258	990	1,097	2,033	2,398	4,579	5,586	8,032	8,551	16,585	19,060	
272	1,045	1,159	2,142	2,527	4,853	5,920	8,452	9,015	17,458	20,063	
286	1,093	1,212	2,250	2,655	5,063	6,176	8,879	9,466	18,331	21,066	
299	1,145	1,270	2,359	2,783	5,275	6,435	9,299	9,916	19,203	22,069	
313	1,197	1,328	2,460	2,902	5,485	6,691	9,720	10,368	20,076	23,072	
326	1,250	1,385	2,569	3,031	5,696	6,949	10,147	10,818	20,949	24,075	
340	1,307	1,450	2,677	3,158	5,908	7,207	10,567	11,333	21,823	25,079	
354	1,353	1,507	2,786	3,287	6,152	7,505	10,987	11,786	22,695	26,082	
367	1,406	1,566	2,894	3,414	6,396	7,803	11,414	12,240	23,568	27,085	
381	1,457	1,624	2,996	3,535	6,640	8,100	11,834	12,692	24,441	28,088	
394	1,510	1,682	3,104	3,662	6,884	8,398	12,261	13,147	25,314	29,091	
408	1,567	1,740	3,213	3,791	7,128	8,696	12,682	13,692	26,186	30,094	
422	1,613	1,799	3,321	3,918	7,334	8,947	13,102	14,148	27,059	31,097	
435	1,666	1,857	3,430	4,047	7,540	9,198	13,522	14,604	27,933	32,101	
449	1,718	1,914	3,531	4,166	7,747	9,451	13,949	15,061	28,806	33,104	
462	1,769	1,972	3,640	4,295	7,953	9,702	14,369	15,518	29,678	34,107	
476	1,829	2,033	3,748	4,422	8,161	9,956	14,796	15,888	30,551	35,110	
490	1,873	2,089	3,857	4,551	8,386	10,230	15,217	16,342	31,424	36,113	
503	1,926	2,146	3,965	4,678	8,611	10,505	15,637	16,796	32,297	37,116	
517	1,979	2,204	4,067	4,799	8,837	10,781	16,064	17,250	33,170	38,119	
530	2,029	2,262	4,175	4,926	9,062	11,055	16,484	17,630	34,043	39,123	
544	2,090	2,325	4,284	5,055	9,289	11,332	16,911	18,314	34,916	40,126	
558	2,134	2,379	4,392	5,182	9,520	11,614	17,331	18,772	35,789	41,129	
571	2,187	2,437	4,501	5,311	9,754	11,899	17,752	19,231	36,662	42,132	
585	2,238	2,494	4,602	5,430	9,985	12,181	18,172	19,687	37,543	43,135	
598	2,291	2,553	4,711	5,558	10,219	12,467	18,599	20,146	38,407	44,138	
612	2,352	2,615	4,819	5,686	10,452	12,751	19,019	20,361	39,280	45,141	
626	2,394	2,669	4,928	5,815	10,701	13,055	19,446	20,814	40,154	46,145	
639	2,447	2,726	5,029	5,934	10,951	13,360	19,866	21,267	41,026	47,148	
653	2,498	2,784	5,138	6,062	11,200	13,664	20,287	21,718	41,899	48,151	
666	2,551	2,843	5,246	6,190	11,449	13,967	20,714	22,171	42,772	49,154	
680	2,614	2,908	5,355	6,318	11,699	14,272	21,141	22,503	43,645	50,157	
700	2,691	2,994	5,513	6,504	12,043	14,692	21,763	23,165	44,929	51,632	

SRX 扭力扳手換算表 SRX Series Torque Conversion Chart

psi / lbf.ft										
Work pressure 工作壓力 psi	SRX-2		SRX-4		SRX-8		SRX-16		SRX-32	
	1-1/4" to 1-13/16" 30 to 46mm	1-7/8" to 2-3/8" 47 to 60mm	1-5/8" to 2-9/16" 41 to 65mm	2-3/4" to 3-1/8" 70 to 80mm	1-7/8" to 3-1/8" 50 to 80mm	3-3/8" to 4-1/8" 85 to 105mm	2-3/4" to 3-15/16" 70 to 100mm	4-1/8" to 4-5/8" 105 to 115mm	3-1/8" to 4-1/2" 80 to 115mm	4-11/16" to 6-1/8" 120 to 155mm
1,000	192	210	395	466	830	1,012	1,560	1,660	3,200	3,700
1,200	230	252	475	560	1,001	1,221	1,870	1,992	3,860	4,440
1,400	269	294	555	654	1,173	1,431	2,180	2,324	4,510	5,180
1,600	307	336	630	743	1,344	1,639	2,495	2,656	5,150	5,920
1,800	346	378	710	837	1,516	1,849	2,805	2,988	5,800	6,660
2,000	385	420	790	932	1,688	2,059	3,120	3,320	6,440	7,400
2,200	422	462	870	1,026	1,865	2,275	3,430	3,652	7,080	8,140
2,400	461	504	950	1,121	2,042	2,491	3,740	3,984	7,730	8,880
2,600	500	546	1,025	1,209	2,219	2,707	4,050	4,316	8,370	9,620
2,800	537	588	1,105	1,303	2,396	2,923	4,365	4,648	9,010	10,360
3,000	578	640	1,185	1,398	2,574	3,140	4,675	4,980	9,660	11,100
3,200	614	681	1,265	1,492	2,775	3,385	4,990	5,312	10,300	11,840
3,400	653	724	1,345	1,587	2,976	3,630	5,300	5,644	10,950	12,580
3,600	691	766	1,420	1,675	3,177	3,875	5,610	5,976	11,590	13,320
3,800	730	809	1,500	1,770	3,378	4,121	5,925	6,308	12,230	14,060
4,000	771	855	1,580	1,864	3,580	4,367	6,235	6,650	12,880	14,800
4,200	806	894	1,660	1,958	3,735	4,556	6,550	6,983	13,520	15,540
4,400	845	937	1,740	2,053	3,891	4,747	6,860	7,315	14,170	16,280
4,600	883	980	1,815	2,141	4,046	4,936	7,170	7,648	14,810	17,020
4,800	922	1,022	1,895	2,236	4,202	5,126	7,485	7,980	15,450	17,760
5,000	964	1,070	1,975	2,330	4,358	5,316	7,795	8,360	16,100	18,500
5,200	998	1,112	2,055	2,424	4,538	5,536	8,105	8,694	16,740	19,240
5,400	1,037	1,155	2,135	2,519	4,718	5,755	8,420	9,029	17,390	19,980
5,600	1,075	1,198	2,210	2,607	4,898	5,975	8,730	9,363	18,030	20,720
5,800	1,114	1,241	2,290	2,702	5,078	6,195	9,045	9,698	18,670	21,460
6,000	1,156	1,285	2,370	2,796	5,258	6,414	9,355	10,100	19,320	22,200
6,200	1,190	1,327	2,450	2,891	5,410	6,600	9,665	10,437	19,960	22,940
6,400	1,229	1,370	2,530	2,985	5,562	6,785	9,975	10,773	20,610	23,680
6,600	1,267	1,412	2,605	3,073	5,715	6,972	10,290	11,110	21,250	24,420
6,800	1,305	1,455	2,685	3,168	5,867	7,157	10,600	11,447	21,900	25,160
7,000	1,349	1,500	2,765	3,262	6,020	7,344	10,915	11,720	22,540	25,900
7,200	1,382	1,541	2,845	3,357	6,186	7,546	11,225	12,055	23,180	26,640
7,400	1,421	1,583	2,925	3,451	6,352	7,749	11,535	12,390	23,830	27,380
7,600	1,460	1,626	3,000	3,540	6,519	7,953	11,850	12,725	24,470	28,120
7,800	1,497	1,669	3,080	3,634	6,685	8,155	12,160	13,005	25,110	28,860
8,000	1,542	1,715	3,160	3,728	6,852	8,359	12,475	13,510	25,760	29,600
8,200	1,574	1,755	3,240	3,823	7,023	8,568	12,785	13,848	26,400	30,340
8,400	1,613	1,798	3,320	3,917	7,195	8,777	13,095	14,186	27,040	31,080
8,600	1,651	1,840	3,395	4,006	7,366	8,986	13,405	14,523	27,690	31,820
8,800	1,690	1,883	3,475	4,100	7,538	9,196	13,720	14,861	28,330	32,560
9,000	1,735	1,929	3,555	4,194	7,710	9,406	14,030	15,020	28,980	33,300
9,200	1,766	1,969	3,635	4,289	7,894	9,630	14,345	15,354	29,620	34,040
9,400	1,805	2,011	3,710	4,377	8,078	9,855	14,655	15,688	30,260	34,780
9,600	1,843	2,054	3,790	4,472	8,262	10,079	14,965	16,021	30,910	35,520
9,800	1,882	2,097	3,870	4,566	8,446	10,304	15,280	16,355	31,550	36,260
10,000	1,928	2,145	3,950	4,661	8,630	10,528	15,595	16,600	32,000	37,000
10,153	1,957	2,178	4,010	4,732	8,762	10,689	15,834	16,854	32,490	37,556



基礎安裝

- 安裝A. 1台油壓扳手專用泵浦+1台四方驅動頭油壓扳手+套筒+2條油管
- 安裝B. 1台油壓扳手專用泵浦+1台中空型油壓扳手+2條油管
- 安裝C. 1台油壓扳手專用泵浦+4台四方驅動頭油壓扳手(+套筒)或4台中空型油壓扳手+8條油管

Basic System Set-up

- A. 1 Hydraulic Torque Wrench using Electric Pump+1 Square Drive Wrench +Socket+2 hoses
- B. 1 Hydraulic Torque Wrench using Electric Pump+1 Low Profile Wrench +2 hoses
- C. 1 Hydraulic Torque Wrench using Electric Pump+4 Square Drive Wrench (+Socket)+ 4Low Profile Wrench +8 hoses

Bolt Dia. 螺栓直徑	Across flat 螺母對邊	Bolt Dia. (Imp.) 螺栓直徑 (英制)	Across flat (Imp.) 螺母對邊 (英制)	SRX-2			SRX-4			SRX-8			SRX-16			SRX-32		
				Link model 連接體型號	R (mm)	D (mm)	Link model 連接體型號	R (mm)	D (mm)	Link model 連接體型號	R (mm)	D (mm)	Link model 連接體型號	R (mm)	D (mm)	Link model 連接體型號	R (mm)	D (mm)
20	30	3/4	1-1/4	SRX-2L 30	26.6	9.1												
22	32			SRX-2L 32	26.6	9.1												
24	36	7/8	1-7/16	SRX-2L 36	33.5	10.4												
27	41	1	1-5/8	SRX-2L 41	34.4	10.4	SRX-4L 41	36.8	12.7									
30	46	1-1/8	1-13/16	SRX-2L 46	37.2	10.4	SRX-4L 46	39.5	12.7									
33	50	1-1/4	2	SRX-2L 50	40.6	11.7	SRX-4L 50	42.3	12.7	SRX-8L 50	43.3	13.7						
36	55	1-3/8	2-3/16	SRX-2L 55	43.7	11.7	SRX-4L 55	45.2	12.7	SRX-8L 55	45.9	13.7						
39	60	1-1/2	2-3/8	SRX-2L 60	46.6	11.7	SRX-4L 60	47.9	12.7	SRX-8L 60	48.9	13.7						
42	65	1-5/8	2-9/16				SRX-4L 65	51.7	13.7	SRX-8L 65	52.5	13.7						
45	70	1-3/4	2-3/4				SRX-4L 70	54.8	13.7	SRX-8L 70	54.5	13.7	SRX-16L 70	60.3	19.5			
48	75	1-7/8	2-15/16				SRX-4L 75	57.3	13.7	SRX-8L 75	57.2	13.7	SRX-16L 75	63.1	19.5			
52	80	2	3-1/8				SRX-4L 80	60.1	13.7	SRX-8L 80	59.9	13.7	SRX-16L 80	66.0	19.5	SRX-32L 80	72.0	25.0
56	85									SRX-8L 85	67.2	17.5	SRX-16L 85	69.0	19.5	SRX-32L 85	75.0	25.0
60	90	2-1/4	3-1/2							SRX-8L 90	70.1	18.0	SRX-16L 90	71.8	19.5	SRX-32L 90	78.0	25.0
64	95									SRX-8L 95	73.5	18.0	SRX-16L 95	79.3	21.0	SRX-32L 95	80.5	25.0
68	100	2-1/2	3-7/8							SRX-8L 100	76.4	18.0	SRX-16L 100	80.0	21.0	SRX-32L 100	83.5	25.0
72	105	2-3/4	4-1/4							SRX-8L 105	80.5	19.5	SRX-16L 105	82.0	21.0	SRX-32L 105	87.5	26.5
76	110												SRX-16L 110	85.0	21.0	SRX-32L 110	91.3	26.5
80	115												SRX-16L 115	90.0	23.0	SRX-32L 115	94.9	26.5
	117	3	4-5/8													SRX-32L 117	94.9	26.5
85	120															SRX-32L 120	96.5	26.5
	125	3-1/4	5													SRX-32L 125	100.5	26.5
90	130															SRX-32L 130	102.5	26.5
95	135	3-1/2	5-3/8													SRX-32L 135	108.0	28.5
	140															SRX-32L 140	110.0	28.5
100	145	3-3/4	5-3/4													SRX-32L 145	113.0	28.5
105	150															SRX-32L 150	116.0	28.5
110	155	4	6-1/8													SRX-32L 155	119.0	28.5